

Thank you for choosing Brother, your support is important to us and we value your business. Your Brother product is engineered and manufactured to the highest standards to deliver reliable performance, day-in and day-out.

Please read the Product Safety Guide first, then read this Quick Setup Guide for the correct setup and installation procedure. To view the Quick Setup Guide in other languages, please visit <http://solutions.brother.com/>.

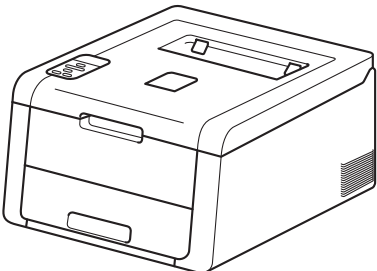
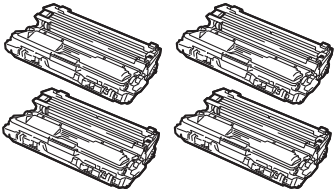
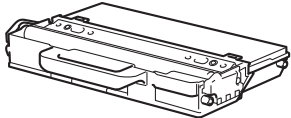
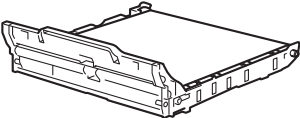
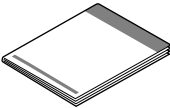

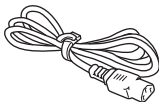
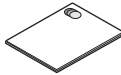
(HL-3140CW / HL-3170CDW) In USA:

To download other guides for this product, visit the Brother Solutions Center at <http://solutions.brother.com/> and click Manuals on your model's page.

**NOTE**

Not all models are available in all countries.

## 1 Unpack the machine and check the components

	 <p><b>Drum Unit and Toner Cartridge Assemblies</b> (pre-installed) (Black, Cyan, Magenta and Yellow)</p>	
 <p><b>Waste Toner Box</b> (pre-installed)</p>	 <p><b>Belt Unit</b> (pre-installed)</p>	 <p><b>Quick Setup Guide</b></p>
 <p><b>CD-ROM</b></p>	 <p><b>AC Power Cord</b></p>	 <p><b>Product Safety Guide</b></p>

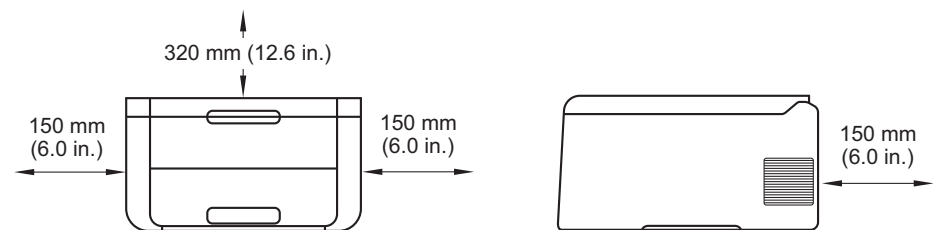
<b>⚠ WARNING</b>	<b>WARNING</b> indicates a potentially hazardous situation which, if not avoided, could result in death or serious injuries.
<b>⚠ CAUTION</b>	<b>CAUTION</b> indicates a potentially hazardous situation which, if not avoided, may result in minor or moderate injuries.

**⚠ WARNING**

Plastic bags are used in the packing of your machine. Plastic bags are not toys. To avoid the danger of suffocation, keep these bags away from babies and children, and dispose of them correctly.

**NOTE**

- Keep a minimum gap around the machine as shown in the illustration.



- The components included in the box may differ depending on your country.
- We recommend that you save the original packaging.
- If for any reason you must ship your machine, carefully repack the machine in the original packaging to avoid any damage during transit. The machine should be adequately insured with the carrier. For details on how to repack the machine, see User's Guide: *Packing and shipping the machine*.
- Illustrations in this Quick Setup Guide are based on the HL-3170CDW.
- The interface cable is not a standard accessory. Buy the appropriate interface cable for the connection you want to use (USB or Network (HL-3150CDN / HL-3150CDW / HL-3170CDW)).

**USB cable**

We recommend using a USB 2.0 cable (Type A/B) that is no longer than 2 meters (6 feet).

**Network cable (HL-3150CDN / HL-3150CDW / HL-3170CDW)**

Use a straight-through Category 5 (or greater) twisted-pair cable for 10BASE-T or 100BASE-TX Fast Ethernet Network.

## 2 Remove the packing material from the machine

### ⚠ CAUTION

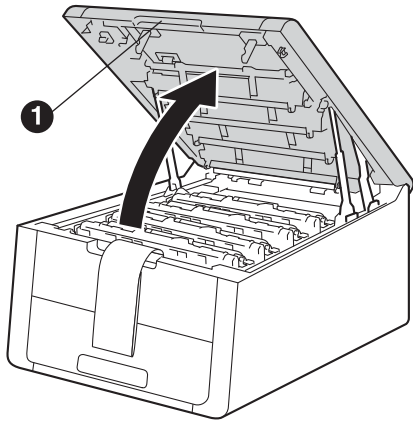
DO NOT eat the silica gel pack, please throw it away. If ingested, seek medical attention immediately.

### IMPORTANT

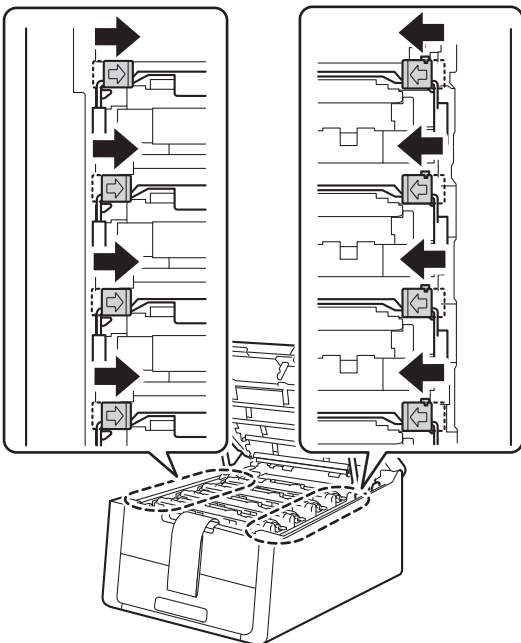
DO NOT connect the AC power cord yet.

**a** Remove the packing tape from the outside of the machine.

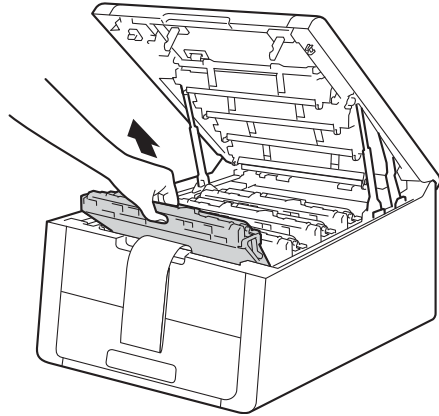
**b** Fully open the top cover by lifting up on the handle ①.



**c** Slide all eight yellow drum locks in the direction of the arrows as shown in the illustration below.

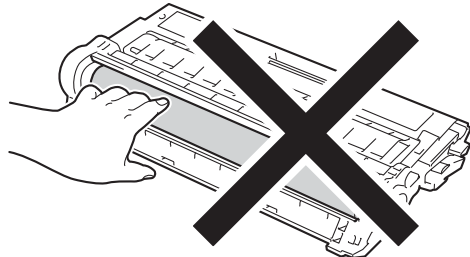


**d** Take out all four drum and toner cartridge assemblies.

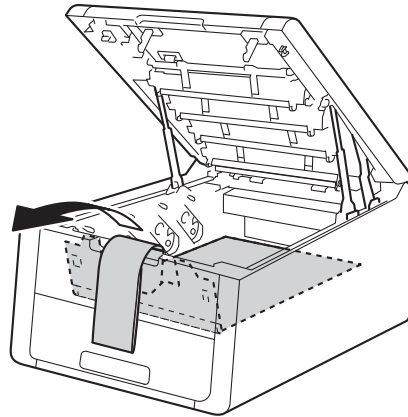


### IMPORTANT

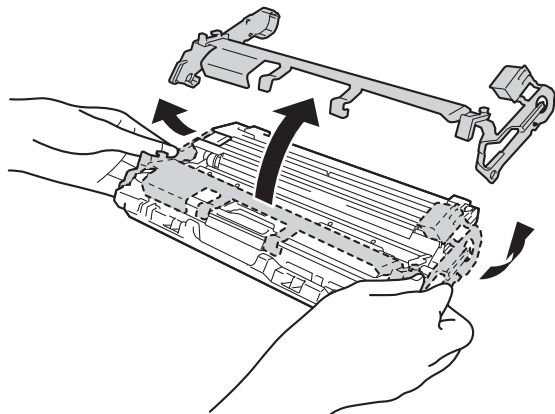
To avoid print quality problems, DO NOT touch the shaded part shown in the illustration.



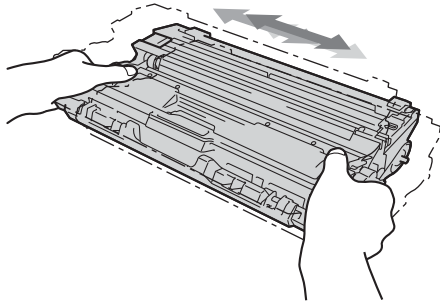
**e** Remove the orange packing piece from the belt unit.



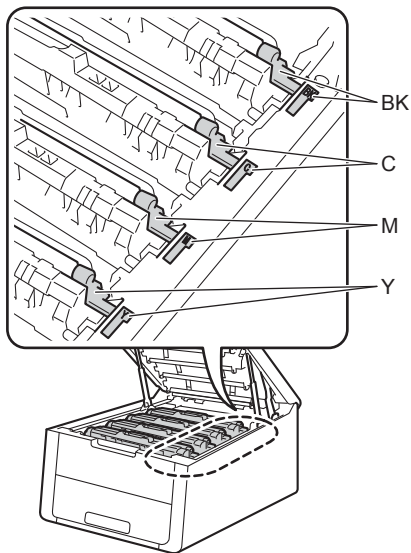
**f** Remove the orange packing piece from each drum and toner cartridge assembly.



- g** Using both hands, hold each drum and toner cartridge assembly level, and gently shake it from side to side several times to distribute the toner evenly inside the assembly.



- h** Slide all four drum and toner cartridge assemblies into the machine. Make sure the toner cartridge color matches the same color label on the machine.



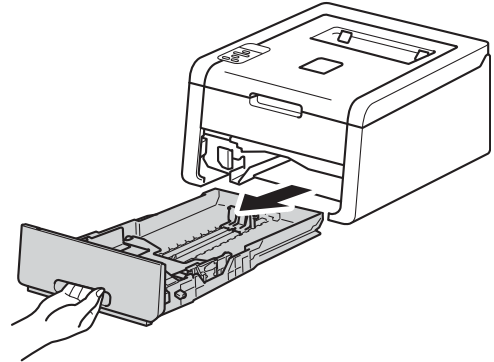
**BK - Black**  
**M - Magenta**

**C - Cyan**  
**Y - Yellow**

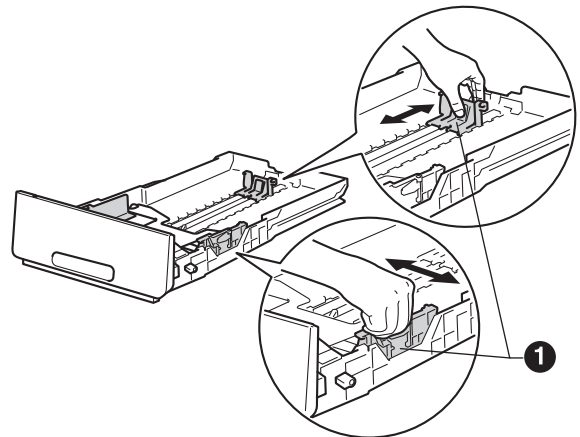
- i** Close the top cover of the machine.

### **3** Load paper in the paper tray

- a** Pull the paper tray completely out of the machine.

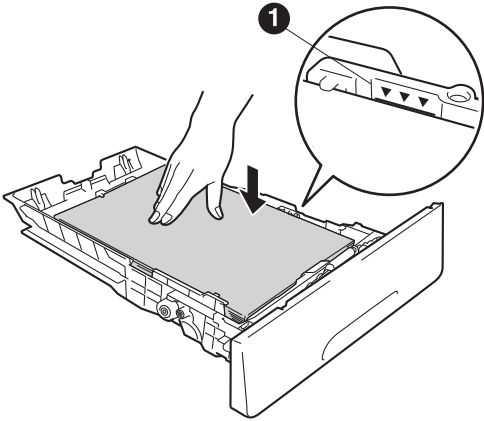


- b** While pressing the green paper-guide release lever **1**, slide the paper guides to fit the paper size you are loading in the tray. Make sure the guides are firmly in the slots.



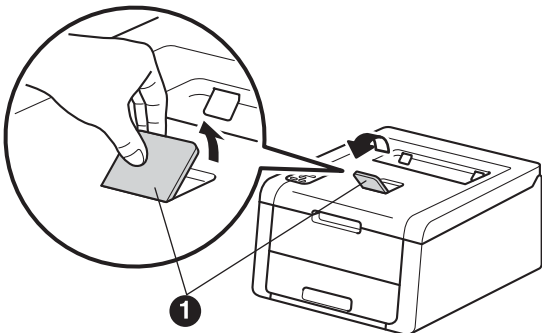
- c** Fan the stack of paper well to avoid paper jams and misfeeds.


- d** Load paper in the tray and make sure:
- The paper is below the maximum paper mark (▼▼▼) ❶. Overfilling the paper tray will cause paper jams.
  - The side to be printed on is face down.
  - The paper guides touch the sides of the paper so it will feed properly.



- e** Put the paper tray firmly back in the machine. Make sure it is completely inserted into the machine.

- f** Lift the support flap ❶ to prevent paper from sliding off the face-down output tray.



 For information about recommended paper: see User's Guide: *Recommended paper and print media*.


## 4 Turn on the machine

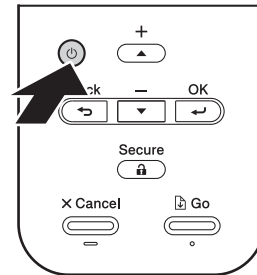
### IMPORTANT

DO NOT connect the interface cable yet.



- a** Connect the AC power cord to the machine and then connect it to an AC power outlet.

- b** Press and hold down  on the control panel.



- c** Do one of the following:
- For HL-3140CW / HL-3150CDW / HL-3170CDW: Go to step **5**.
  - For HL-3150CDN: Go to step **6**.

## 5 Wireless setup for WLAN models only (if needed)

- a** For mobile device users: press **▲** to choose **Yes**.  
Go to step **9** on page 17 to continue the wireless setup.  
After finishing the wireless setup, return to step **6** to finish the machine setup.

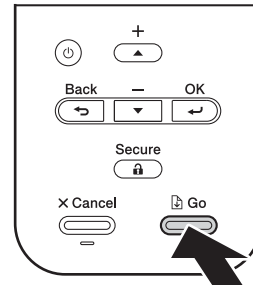
### NOTE

To change the language on your machine first, you can choose **No**. You will be able to configure the wireless settings later.

- b** For all other users: press **▼** to choose **No**.  
Then go to step **6**.  
Wireless setup for Windows® and Macintosh users will be covered in later steps.

## 6 Print a test page

- a** Press **Go**. The machine will print a test page.  
Check that the test page has printed correctly.



### NOTE

This function will no longer be available after the first print job you send from your computer.

## 7 Set your language

- a** Press **▲** or **▼** to choose **General Setup**.  
Press **OK**.
- b** Press **OK** to choose **Local Language**.
- c** Press **▲** or **▼** to choose your language.  
Press **OK**.
- d** Press **Cancel**.

**Now go to**

**Next page to install the printer driver.**

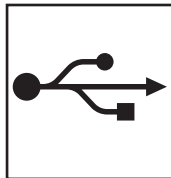
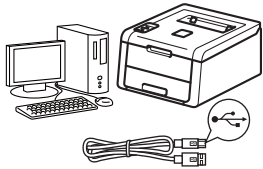
# 8

## Choose your connection type

These installation instructions are for Windows® XP Home/XP Professional/XP Professional x64 Edition, Windows Vista®, Windows® 7, Windows® 8, Windows Server® 2003/2003 x64 Edition/2008/2008 R2/2012, and Mac OS X v10.6.8, 10.7.x and 10.8.x.

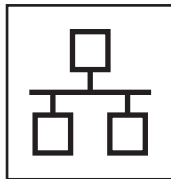
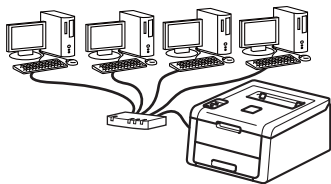
### NOTE

You can visit us at <http://solutions.brother.com/> where you can get product support, the latest driver updates and utilities, and answers to frequently asked questions (FAQs).



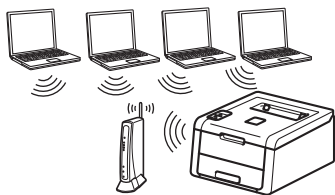
### For USB Interface Cables

Windows®, go to page 8  
Macintosh, go to page 10



### For Wired Network

Windows®, go to page 11  
Macintosh, go to page 15



### For Wireless Network

Windows® and Macintosh,  
go to page 17

### NOTE

To connect your iOS or Android™ device or Windows® Phone to your Brother machine using Wi-Fi Direct™, please download the Wi-Fi Direct™ Guide at <http://solutions.brother.com/>.

USB	Windows®
	Macintosh
Wired Network	Windows®
	Macintosh
Wireless Network	Windows®
	Macintosh




## For Windows® USB Interface Cable Users

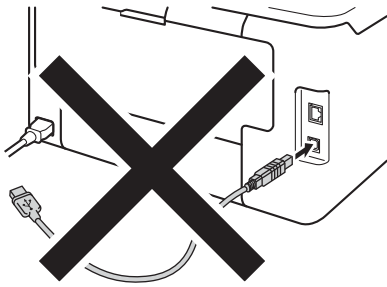
### 9 Before you install

#### IMPORTANT

- If there are any programs running, close them.
- The screens may differ depending on your operating system.

**a** Make sure your computer is ON and you are logged on with Administrator rights.

**b** Press and hold down  to turn off the machine, and make sure the USB interface cable is **NOT** connected. If you have already connected the cable, disconnect it.



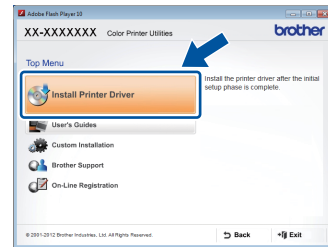
### 10 Install the printer driver

**a** Put the CD-ROM into your CD-ROM drive. If prompted, select your model and language.

#### NOTE

- If the Brother screen does not appear automatically, go to **Computer (My Computer)**, double-click the CD-ROM icon, and then double-click **start.exe**.
- For Windows Vista®, Windows® 7 and Windows® 8 users: when the **User Account Control** screen appears, permit the window to continue the installation.

**b** Click **Install Printer Driver**, and click **Yes** if you accept the license agreement.

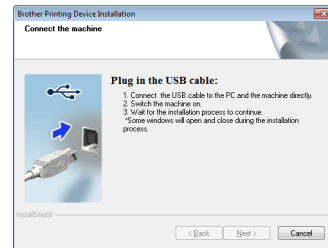


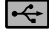
**c** Choose **Local Connection (USB)**, and then click **Next**.

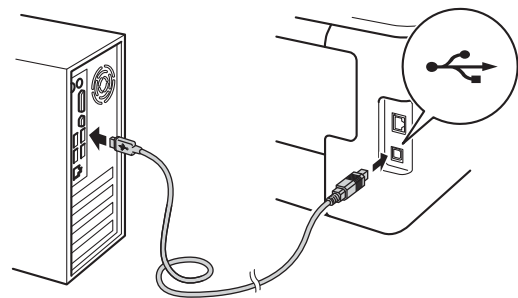
#### NOTE

For HL-3170CDW: to install the PS driver (BR-Script3 printer driver), choose **Custom Install**, and then follow the on-screen instructions.

**d** Follow the on-screen instructions until the **Plug in the USB cable** screen appears.




**e** Connect the USB cable to the USB port marked with the  symbol on your machine, and then connect the cable to your computer.







**f** Press and hold down  to turn on the machine.

The installation will automatically continue. The installation screens appear one after another. If prompted, follow any on-screen instructions.

## IMPORTANT

DO NOT cancel any of the screens during the installation. It may take a few minutes for all screens to appear.

**g** When the **On-Line Registration** screen appears, make your selection and follow the on-screen instructions. Once you have completed the registration process, click **Next**.

**h** When the **Setup is Complete** screen appears, make your selection, and then click **Finish**.

## NOTE

Depending on your security settings when using the machine or its software, a Windows® Security or antivirus software window may appear. Please allow or permit the window to continue.

**Finish**

**The installation is now complete.**

## NOTE

- If the Brother manuals included on the CD-ROM are in PDF format, use Adobe® Reader® to open them. If Adobe® Reader® is installed on your computer but cannot open the files, change the file association for ".pdf" to "Adobe® Reader®" in your **Control Panel**. For more information, see the FAQ section for this model at <http://solutions.brother.com/>.
- **XML Paper Specification Printer Driver**  
The XML Paper Specification Printer Driver is the most suitable driver for Windows Vista®, Windows® 7 and Windows® 8 when printing from applications that use the XML Paper Specification. Please download the latest driver from the Brother Solutions Center at <http://solutions.brother.com/>.




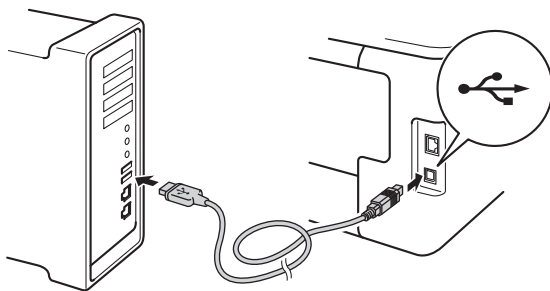
## For Macintosh USB Interface Cable Users

### 9 Before you install

#### IMPORTANT

For users of Mac OS X v10.6.7 or lower: upgrade to Mac OS X v10.6.8, 10.7.x, 10.8.x. (For the latest drivers and information for the Mac OS X you are using, visit <http://solutions.brother.com/>.)

- a** Make sure your machine is connected to an AC power source and your Macintosh is ON. You must be logged on with Administrator rights.
- b** Connect the USB cable to the USB port marked with the  symbol on your machine, and then connect the cable to your Macintosh.



- c** Make sure your machine is turned on.

### 10 Install the printer driver

- a** Put the CD-ROM into your CD-ROM drive, and then double-click the **BROTHER** icon on your desktop.
- b** Double-click the **Start Here OSX** icon. If prompted, select your model.



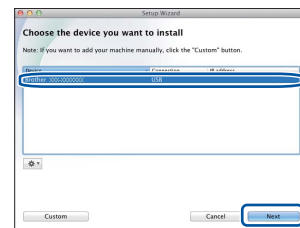
- c** (HL-3140CW / HL-3150CDW / HL-3170CDW) Choose **Local Connection (USB)**, and then click **Next**.

- d** The installation screens appear one after another. If prompted, follow any on-screen instructions.

#### NOTE

It may take a few minutes for the installation to complete.

- e** Choose your machine from the list, and then click **Next**.

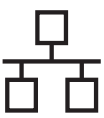


- f** When the **Add Printer** screen appears, click **Add Printer**.
- g** Choose your machine from the list, click **Add**, and then click **Next**.

#### NOTE

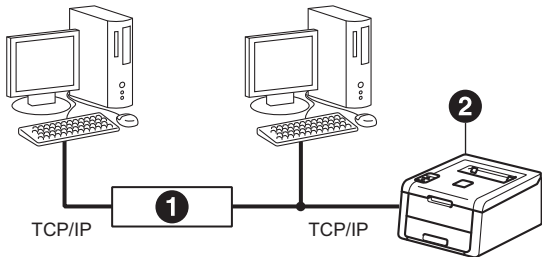
- For HL-3170CDW: to add the PS driver (BR-Script3 printer driver), select it from the **Print Using (Use)** pop-up menu.
- When the **Brother Support** screen appears, make your selection and follow the on-screen instructions.

**Finish** The installation is now complete.



## For Windows® Wired Network Interface Cable / Peer-to-Peer Network Users (HL-3150CDN / HL-3150CDW / HL-3170CDW)

### 9 Before you install



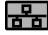
- 1 Router
- 2 Machine

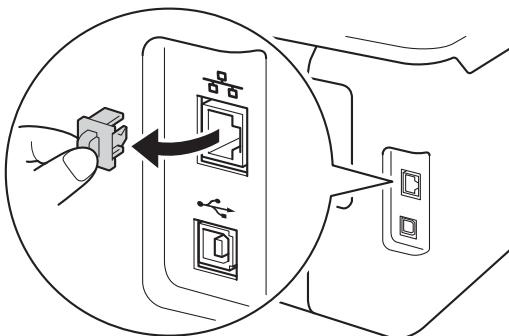
#### IMPORTANT

- If there are any programs running, close them.
- The screens may differ depending on your operating system.

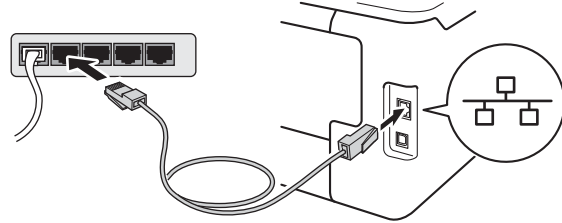
#### NOTE

If you are going to connect the machine to your network, we recommend that you contact your system administrator prior to installation.

- a Make sure your computer is ON and you are logged on with Administrator rights.
- b Remove the protective cap from the Ethernet port marked with a  symbol on your machine.



- c Connect the network interface cable to the Ethernet port, and then connect it to a free port on your hub.



- d Make sure your machine is turned on.

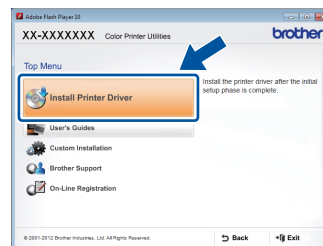
### 10 Install the printer driver

- a Put the CD-ROM into your CD-ROM drive. If prompted, select your model and language.

#### NOTE

- If the Brother screen does not appear automatically, go to **Computer (My Computer)**, double-click the CD-ROM icon, and then double-click **start.exe**.
- For Windows Vista®, Windows® 7 and Windows® 8 users: when the **User Account Control** screen appears, permit the window to continue the installation.

- b Click **Install Printer Driver**, and click **Yes** if you accept the license agreement.

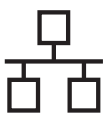


- c Choose **Wired Network Connection (Ethernet)**, and then click **Next**.

#### NOTE

For HL-3170CDW: to install the PS driver (BR-Script3 printer driver), choose **Custom Install**, and then follow the on-screen instructions.

- d Choose **Brother Peer-to-Peer Network Printer**, and then click **Next**.



## NOTE

Choose your Firewall setting preference, and then click **Next**.

- e** The installation will automatically continue. The installation screens appear one after another. If prompted, follow any on-screen instructions.

## IMPORTANT

DO NOT cancel any of the screens during the installation. It may take a few minutes for all screens to appear.

## NOTE

- If prompted, choose your machine from the list, and then click **Next**.
- If there is more than one of the same model connected on your network, the IP Address and Node Name will be displayed to help you identify the machine.
- You can find your machine's IP Address and the Node Name by printing out the Printer Settings Page (see *Print the Printer Settings Page* on page 31).

- f** When the **On-Line Registration** screen appears, make your selection and follow the on-screen instructions. Once you have completed the registration process, click **Next**.

- g** When the **Setup is Complete** screen appears, make your selection, and then click **Finish**.

## NOTE

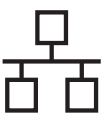
Depending on your security settings when using the machine or its software, a Windows® Security or antivirus software window may appear. Please allow or permit the window to continue.

**Finish**

**The installation is now complete.**

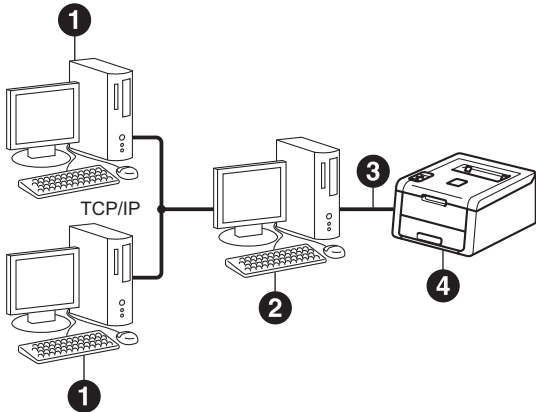
## NOTE

- If the Brother manuals included on the CD-ROM are in PDF format, use Adobe® Reader® to open them. If Adobe® Reader® is installed on your computer but cannot open the files, change the file association for ".pdf" to "Adobe® Reader®" in your **Control Panel**. For more information, see the FAQ section for this model at <http://solutions.brother.com/>.
- **XML Paper Specification Printer Driver**  
The XML Paper Specification Printer Driver is the most suitable driver for Windows Vista®, Windows® 7 and Windows® 8 when printing from applications that use the XML Paper Specification. Please download the latest driver from the Brother Solutions Center at <http://solutions.brother.com/>.



## For Windows® Wired Network Interface Cable / Shared Network Users (HL-3150CDN / HL-3150CDW / HL-3170CDW)

### 9 Before you install



- 1 Client computer
- 2 Computer known as "Server" or "Print server"
- 3 TCP/IP or USB
- 4 Machine

#### IMPORTANT

- If there are any programs running, close them.
- The screens may differ depending on your operating system.

#### NOTE

If you are going to connect the machine to your network, we recommend that you contact your system administrator prior to installation.

- a Make sure your computer is ON and you are logged on with Administrator rights.
- b Make sure your machine is turned on.

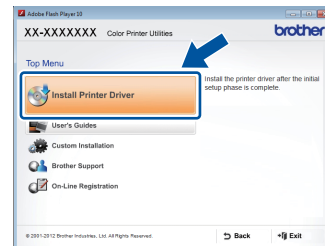
### 10 Install the printer driver

- a Put the CD-ROM into your CD-ROM drive. If prompted, select your model and language.

#### NOTE

- If the Brother screen does not appear automatically, go to **Computer (My Computer)**, double-click the CD-ROM icon, and then double-click **start.exe**.
- For Windows Vista®, Windows® 7 and Windows® 8 users: when the **User Account Control** screen appears, permit the window to continue the installation.

- b Click **Install Printer Driver**, and click **Yes** if you accept the license agreement.

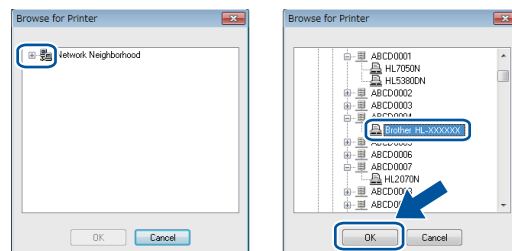


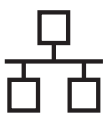
- c Choose **Wired Network Connection (Ethernet)**, and then click **Next**.

#### NOTE

For HL-3170CDW: to install the PS driver (BR-Script3 printer driver), choose **Custom Install**, and then follow the on-screen instructions.

- d Choose **Network Shared Printer**, and then click **Next**.
- e Choose your machine's queue, and then click **OK**.





## NOTE

Contact your administrator if you do not know the location or the name of the machine queue on the network.

- f** The installation will automatically continue. The installation screens appear one after another. If prompted, follow any on-screen instructions.

## IMPORTANT

DO NOT cancel any of the screens during the installation. It may take a few minutes for all screens to appear.

- g** When the **On-Line Registration** screen appears, make your selection and follow the on-screen instructions. Once you have completed the registration process, click **Next**.
- h** When the **Setup is Complete** screen appears, make your selection, and then click **Finish**.

## NOTE

Depending on your security settings when using the machine or its software, a Windows® Security or antivirus software window may appear. Please allow or permit the window to continue.

# Finish

**The installation is now complete.**

## NOTE

- If the Brother manuals included on the CD-ROM are in PDF format, use Adobe® Reader® to open them. If Adobe® Reader® is installed on your computer but cannot open the files, change the file association for ".pdf" to "Adobe® Reader®" in your **Control Panel**. For more information, see the FAQ section for this model at <http://solutions.brother.com/>.
- **XML Paper Specification Printer Driver**  
The XML Paper Specification Printer Driver is the most suitable driver for Windows Vista®, Windows® 7 and Windows® 8 when printing from applications that use the XML Paper Specification. Please download the latest driver from the Brother Solutions Center at <http://solutions.brother.com/>.




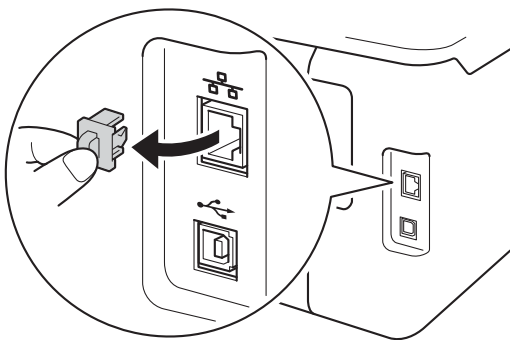
## For Macintosh Wired Network Interface Cable Users (HL-3150CDN / HL-3150CDW / HL-3170CDW)

### 9 Before you install

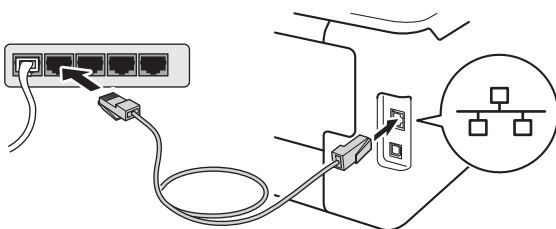
#### IMPORTANT

For users of Mac OS X v10.6.7 or lower: upgrade to Mac OS X v10.6.8, 10.7.x, 10.8.x. (For the latest drivers and information for the Mac OS X you are using, visit <http://solutions.brother.com/>.)

- a Make sure your machine is connected to an AC power source and your Macintosh is ON. You must be logged on with Administrator rights.
- b Remove the protective cap from the Ethernet port marked with a  symbol on your machine.



- c Connect the network interface cable to the Ethernet port, and then connect it to a free port on your hub.



- d Make sure your machine is turned on.

### 10 Install the printer driver

- a Put the CD-ROM into your CD-ROM drive, and then double-click the **BROTHER** icon on your desktop.
- b Double-click the **Start Here OSX** icon. If prompted, select your model.



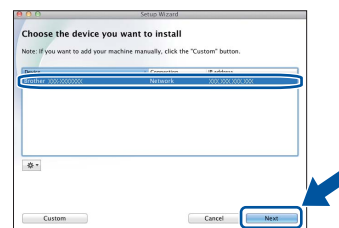
- c (HL-3150CDW / HL-3170CDW)  
Choose **Wired Network Connection (Ethernet)**, and then click **Next**.

- d The installation screens appear one after another. If prompted, follow any on-screen instructions.

#### NOTE

It may take a few minutes for the installation to complete.

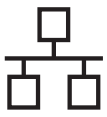
- e Choose your machine from the list, and then click **Next**.



#### NOTE

- If there is more than one of the same model connected on your network, the IP Address will be displayed to help you identify the machine.
- You can find your machine's IP Address by printing out the Printer Settings Page (see *Print the Printer Settings Page* on page 31).

- f When the **Add Printer** screen appears, click **Add Printer**.



**9** Choose your machine from the list, click **Add**, and then click **Next**.

(OS X v10.8.x)

Select **HL-XXXX CUPS** driver from the **Use** pop-up menu. (Where XXXX is your model name.)

## NOTE

- For HL-3170CDW: to add the PS driver (BR-Script3 printer driver), select it from the **Print Using (Use)** pop-up menu.
- When the **Brother Support** screen appears, make your selection and follow the on-screen instructions.

**Finish**

**The installation is now complete.**





## For Wireless Network Interface Users (HL-3140CW / HL-3150CDW / HL-3170CDW)

### 9 Before you begin

First you must configure the wireless network settings of your machine to communicate with your wireless access point/router. After the machine is configured to communicate with your wireless access point/router, the computers and mobile devices on your network will have access to the machine. To use the machine from a computer, you must install the printer driver. The following steps will guide you through the configuration and installation process:

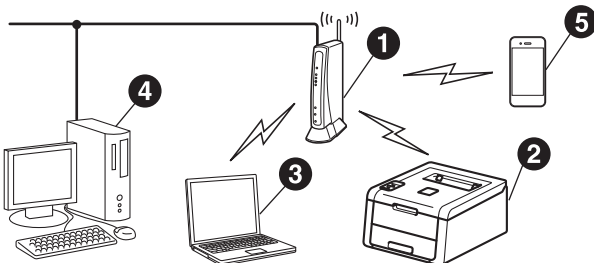
#### IMPORTANT

- If you are going to connect the machine to your network, we recommend that you contact your system administrator prior to installation. You must know your wireless network settings before you proceed with this installation.
- If you have previously configured the wireless settings of the machine, you must reset the network settings before you can configure the wireless settings again.
  1. On your machine, press ▲ or ▼ to choose `Network`, and press **OK**.
  2. Press ▲ or ▼ to choose `Network Reset`, and press **OK**.
  3. When `Reboot OK?` appears, press ▲ to choose `Yes`.

#### NOTE

- To achieve optimum results with normal everyday document printing, place the Brother machine as close to the wireless access point/router as possible, with minimal obstructions. Large objects and walls between the two devices and interference from other electronic devices can affect the data transfer speed of your documents.  
Due to these factors, wireless may not be the best method of connection for all types of documents and applications. If you are printing large files, such as multi-page documents with mixed text and large graphics, you may want to consider choosing wired Ethernet for a faster data transfer or USB for the fastest throughput speed.
- Although the Brother HL-3150CDW and HL-3170CDW can be used in both a wired and a wireless network, only one of the connection methods can be used at a time.
- If you use your machine in an IEEE 802.1x supported wireless network, see *Network User's Guide: Using IEEE 802.1x authentication*.

#### Infrastructure Mode



- 1 Wireless access point/router
- 2 Wireless Network machine (your machine)
- 3 Wireless capable computer connected to the wireless access point/router
- 4 Wired computer connected to the wireless access point/router
- 5 Mobile device connected to the wireless access point/router



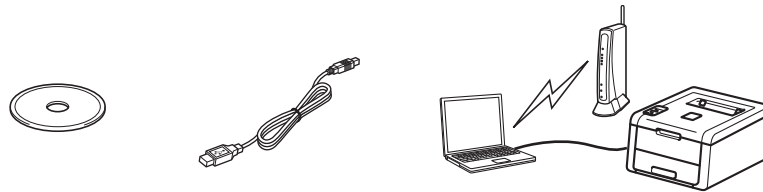
## 10 Choose your wireless setup method

The following instructions will offer three methods for setting up your Brother machine on a wireless network. If you began the wireless setup from step **5** on page 6 (for mobile devices), go to method **b** (Setup Wizard). For all other users, choose the method you prefer for your environment.

### NOTE

For instructions on setting up your machine in any other wireless environment, see *Network User's Guide*.

### **a** Setup using the CD-ROM and temporarily using a USB cable (Windows® and Macintosh)



We recommend using a computer wirelessly connected to your network for this method.

### IMPORTANT

- You need to temporarily use a USB cable during configuration (cable not included).
- If you are using Windows® XP, or using a network cable to connect your computer to your wireless access point/router, you need to know the SSID and Network Key of your wireless access point/router before you proceed. Please write down your wireless network settings in the area below.
- If you need assistance during setup and want to contact Brother Customer Service, make sure you have your SSID (Network Name) and Network Key ready. We cannot assist you in locating this information.

Item	Record the current wireless network settings
SSID (Network Name)	
Network Key* (Security Key/Encryption Key)	

\* The Network Key may also be described as the Password, Security Key, or Encryption Key.

### NOTE

- If you do not know this information (SSID and Network Key), you cannot continue the wireless setup.
- To find this information (SSID and Network Key):
  1. Check the documentation provided with your wireless access point/router.
  2. The default Network Name could be the access point/router manufacturer's name or the model name.
  3. If you do not know the security information, please consult the router manufacturer, your system administrator, or your internet provider.

Now go to

page 20



## **b** Manual setup from the control panel using the Setup Wizard (Windows®, Macintosh and mobile devices)

If your wireless access point/router does not support WPS (Wi-Fi Protected Setup™) or AOSS™, write down the wireless network settings of your wireless access point/router in the area below.

### **IMPORTANT**

If you need assistance during setup and want to contact Brother Customer Service, make sure you have your SSID (Network Name) and Network Key ready. We cannot assist you in locating this information.

Item	Record the current wireless network settings
SSID (Network Name)	
Network Key* (Security Key/Encryption Key)	

\* The Network Key may also be described as the Password, Security Key, or Encryption Key.

### **NOTE**

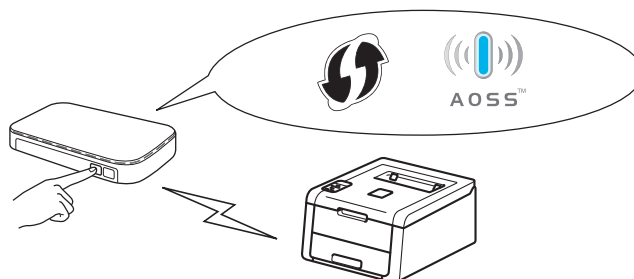
- If you do not know this information (SSID and Network Key), you cannot continue the wireless setup.
- To find this information (SSID and Network Key):
  1. Check the documentation provided with your wireless access point/router.
  2. The default Network Name could be the access point/router manufacturer's name or the model name.
  3. If you do not know the security information, please consult the router manufacturer, your system administrator, or your internet provider.

**Now go to**

**page 22**

## **c** One-push setup using WPS or AOSS™ (Windows®, Macintosh and mobile devices)

Use this method if your wireless access point/router supports automatic wireless (one-push) setup (WPS or AOSS™).



**Now go to**

**page 24**



## Setup using the CD-ROM and temporarily using a USB cable (Windows® and Macintosh)

### 11 Set up the wireless settings

#### IMPORTANT

- You need to temporarily use a USB cable during configuration (cable not included).
- If you are using Windows® XP, or using a network cable to connect your computer to your wireless access point/router, you need to know the SSID and Network Key of your wireless access point/router that you wrote down in step **10-a** on page 18 before you proceed.

#### NOTE

- If you use your machine in an IEEE 802.1x supported wireless network, see Network User's Guide: *Using IEEE 802.1x authentication*.
- The screens in this step are from Windows®. The screens on your computer will vary depending on your operating system.

**a** Put the CD-ROM into your CD-ROM drive.

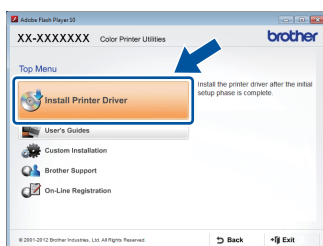
#### NOTE

(Windows®)

- If prompted, select your model and language.
- If the Brother screen does not appear automatically, go to **Computer (My Computer)**, double-click the CD-ROM icon, and then double-click **start.exe**.
- For Windows Vista®, Windows® 7 and Windows® 8 users: when the **User Account Control** screen appears, permit the window to continue the installation.

**b** (Windows®)

Click **Install Printer Driver**, and click **Yes** if you accept the license agreement.



(Macintosh)

Double-click the **BROTHER** icon on your desktop, and then double-click the **Start Here OSX** icon on the screen. If prompted, select your model.



**c** Choose **Wireless Network Connection**, and then click **Next**.

- For Windows®, go to **d**.
- For Macintosh, go to **e**.

#### NOTE

(Windows®)

For HL-3170CDW: to install the PS driver (BR-Script3 printer driver), choose **Custom Install**, and then follow the on-screen instructions.

**d** Choose **Brother Peer-to-Peer Network Printer** or **Network Shared Printer**, and then click **Next**.

#### NOTE

- If you choose **Network Shared Printer**, choose your machine's queue, and then click **OK**.
- Choose your Firewall setting preference, and then click **Next**.

**e** Choose **Yes, I have a USB cable to use for installation.**, and then click **Next**.



#### NOTE

If the **Important Notice** screen appears, read the notice. Check the box after you confirm the SSID and Network Key, and then click **Next**.



# For Wireless Network Users

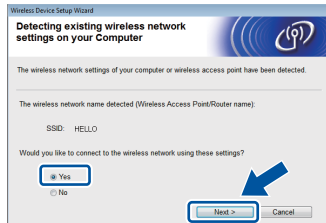
**f** Temporarily connect the USB cable (not included) directly to the computer and the machine.



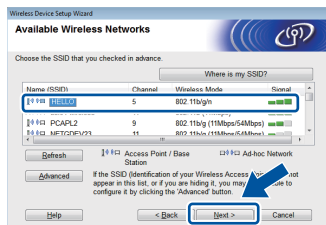
**g** Do one of the following:

- If the **Installation confirmation** screen appears, check the box and click **Next**, and then go to **h**.
- If the **Installation confirmation** screen does not appear, go to **i**.

**h** Check **Yes** if you want to connect with the listed SSID. Click **Next**, and then go to **k**.



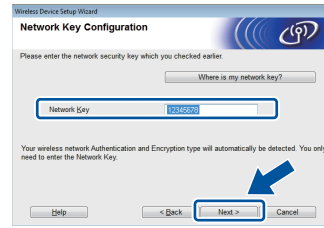
**i** The wizard will search for available wireless networks from your machine. Choose the SSID that you wrote down for your network in step **10-a** on page 18, and then click **Next**.



## NOTE

- If the list is blank, check that the wireless access point/router has power and is broadcasting the SSID. See if the machine and the wireless access point/router are within range for wireless communication. Click **Refresh**.
- If your wireless access point/router is set to not broadcast the SSID, manually add it by clicking the **Advanced** button. Follow the on-screen instructions for entering the **Name(SSID)**, and then click **Next**.

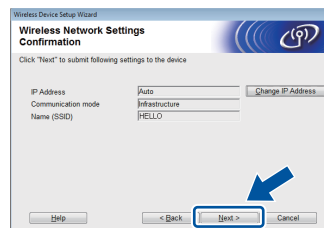
**j** Enter the **Network Key** you wrote down in step **10-a** on page 18, and then click **Next**.



## NOTE

If your network is not configured for Authentication and Encryption, the **ATTENTION!** screen will appear. To continue configuration, click **OK**.

**k** Confirm the wireless network settings, and then click **Next**. The settings will be sent to your machine.



## NOTE

- The settings will remain unchanged if you click **Cancel**.
- To manually enter the IP address settings of your machine, click **Change IP Address** and enter the necessary IP address settings for your network.
- If the wireless setup failure screen appears, click **Retry**.

Disconnect the USB cable between the computer and the machine, and then click **Next**.



**Wireless setup is now complete.** A four-level indicator at the right of your machine's LCD will show the wireless signal strength of your wireless access point/router.

**To install the printer driver, continue to step 13.**

**For Windows® Users:**

**Now go to step 13-e on page 28**

**For Macintosh Users:**

**Now go to step 13-d on page 30**



## Manual setup from the control panel using the Setup Wizard (Windows®, Macintosh and mobile devices)

### 11 Set up the wireless settings

#### IMPORTANT

You must have the wireless settings you wrote down for your network in step **10-b** on page 19 before you proceed.

#### NOTE

If you use your machine in an IEEE 802.1x supported wireless network, see Network User's Guide: *Using IEEE 802.1x authentication*.

- a** If you began the wireless setup from step **5** on page 6 (for mobile devices), go to **c**.  
All other users, go to **b**.
- b** On your machine, press ▲ or ▼ to choose `Network` and press **OK**.  
Press ▲ or ▼ to choose `WLAN` and press **OK**.
- c** Press ▲ or ▼ to choose `Setup Wizard` and press **OK**.  
When `WLAN Enable?` is displayed, press ▲ to accept. This will start the wireless setup wizard.  
To cancel the wireless setup wizard and exit, press **Cancel**.
- d** The machine will search for available SSIDs. It will take a few minutes to display a list of available SSIDs.  
If a list of SSIDs is displayed, use the ▲ or ▼ key to choose the SSID you wrote down in step **10-b** on page 19, then press **OK**.
- e** Do one of the following:
- If the wireless access point/router of the selected SSID supports WPS and `WPS is available` appears, press ▲ and go to **f**.
  - If you are using an authentication and encryption method that requires a Network Key, go to **g**.
  - If your authentication method is Open System and your encryption mode is None, go to **h**.

#### NOTE

- If the list is blank, check that the wireless access point/router has power and is broadcasting the SSID. Move your machine closer to the wireless access point/router and try starting from **b** again.
- If your wireless access point/router is set to not broadcast the SSID you will have to manually add the SSID name. For details, see Network User's Guide: *Configuring your machine when the SSID is not broadcast*.

- f** To connect your machine using the automatic wireless mode, press ▲ to choose `Yes`. (If you choose `No`, go to **g** to enter the Network Key.)  
When `Press WPS on rtr` appears, press the WPS button on your wireless access point/router, and then press ▲ twice. Go to **h**.
- g** Enter the Network Key you wrote down in step **10-b** on page 19.  
To enter a character or number, hold down or repeatedly press the ▲ or ▼ key until the character you want appears, and then press **OK**.  
To delete the characters you have entered, press the **Back** key.  
For more information, see *Entering Text for Wireless Settings* on page 27.  
Press **OK** when you have entered all the characters, and then press ▲ for `Yes` to apply your settings.
- h** Your machine will now try to connect to your wireless network using the information you have entered.  
A connection result message appears on the LCD and a WLAN report will automatically be printed.  
If the connection failed, check the error code on the printed report and refer to *Troubleshooting* on page 25.  
Press **OK**.



# For Wireless Network Users



**Wireless setup is now complete.**  
A four-level indicator at the right of your machine's LCD will show the wireless signal strength of your wireless access point/router.

**For computer users: please install the printer driver.**

**For Windows® Users:**

**Now go to  
step 12 on page 28**

**For Macintosh Users:**

**Now go to  
step 12 on page 30**

**For mobile device users who began the setup from step 5 on page 6, go back to step 6 on page 6 to continue the machine setting.**

## **NOTE**

For Mobile Device users, see the Advanced Network User's Guides for details on how to use your machine with your mobile device(s). To download the User's Guide for the application you are using, visit the Brother Solutions Center at <http://solutions.brother.com/> and click Manuals on your model's page.



## One-push setup using WPS (Wi-Fi Protected Setup) or AOSS™ (Windows®, Macintosh and mobile devices)

### 11 Configure the wireless settings

- a** Confirm that your wireless access point/router has the WPS or AOSS™ symbol as shown below.



- b** Place the Brother machine within range of your WPS or AOSS™ access point/router. The range may differ depending on your environment (see the instructions provided with your wireless access point/router).

If you began the wireless setup from step 5 on page 6, go to **d**.

All other users, go to **c**.

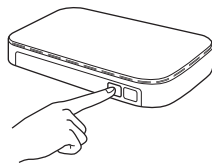
- c** On your machine, press ▲ or ▼ to choose **Network** and press **OK**. Press ▲ or ▼ to choose **WLAN** and press **OK**.

- d** Press ▲ or ▼ to choose **WPS/AOSS** and press **OK**.

When **WLAN Enable?** is displayed, press ▲ to accept. This will start the wireless setup wizard.

To cancel the wireless setup wizard and exit, press **Cancel**.

- e** When **Press Key on rtr** appears, press the WPS or AOSS™ button on your wireless access point/router (for more information, see the instructions provided with your wireless access point/router), and then press ▲ on your machine.



This feature will automatically detect which mode (WPS or AOSS™) your wireless access point/router uses to configure your machine.

#### NOTE

If your wireless access point/router supports WPS (PIN Method) and you want to configure your machine using the PIN (Personal Identification Number) Method, see Network User's Guide: *Configuration using the PIN Method of WPS (Wi-Fi Protected Setup)*.

- f** A connection result message appears on the LCD and a WLAN report will automatically be printed.

If the connection failed, check the error code on the printed report and refer to *Troubleshooting* on page 25.

Press **OK**.

- OK!** **Wireless setup is now complete. A four-level indicator at the right of your machine's LCD will show the wireless signal strength of your wireless access point/router.**

**To install the printer driver, continue to step 12.**

**For Windows® Users:**

**Now go to page 28**

**For Macintosh Users:**

**Now go to page 30**

#### NOTE

For Mobile Device users, see the Advanced Network User's Guides for details on how to use your machine with your mobile device(s). To download the User's Guide for the application you are using, visit the Brother Solutions Center at <http://solutions.brother.com/> and click Manuals on your model's page.





## Troubleshooting

### IMPORTANT

If you need assistance during setup and want to contact Brother Customer Service, make sure you have your SSID (Network Name) and Network Key ready. We cannot assist you in locating this information.

### To find the wireless settings (Network Name (SSID) and Network Key)\*

1. Check the documentation provided with your wireless access point/router.
2. The default Network Name could be the access point/router manufacturer's name or the model name.
3. If you do not know the security information, please consult the router manufacturer, your system administrator, or your internet provider.

- \* The Network Key may also be described as the Password, Security Key, or Encryption Key.
- \* If the wireless access point/router is set not to broadcast the SSID, the SSID will not be detected automatically. You must manually enter the SSID name (see Network User's Guide: *Configuring your machine when the SSID is not broadcast*).

### WLAN report

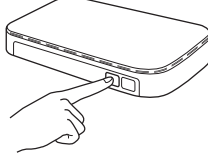
If the printed WLAN report shows that the connection failed, check the error code on the printed report and refer to the following instructions:

Error Code	Recommended Solutions
TS-01	<p>The wireless setting is not activated, turn the wireless setting to ON.</p> <ul style="list-style-type: none"> <li>- If a LAN cable is connected to your machine, disconnect it and turn the wireless setting of your machine to ON.               <ol style="list-style-type: none"> <li>1. On your machine, press ▲ or ▼ to choose <b>Network</b> and press <b>OK</b>.</li> <li>2. Press ▲ or ▼ to choose <b>WLAN</b> and press <b>OK</b>.</li> <li>3. Press ▲ or ▼ to choose <b>Setup Wizard</b> and press <b>OK</b>.</li> <li>4. When <b>WLAN Enable?</b> is displayed, press ▲ to accept. This will start the wireless setup wizard.</li> </ol> </li> </ul>
TS-02	<p>The wireless access point/router cannot be detected.</p> <ul style="list-style-type: none"> <li>- Check the following four points:               <ol style="list-style-type: none"> <li>1. Make sure the wireless access point/router is powered on.</li> <li>2. Move your machine to an obstruction-free area, or closer to the wireless access point/router.</li> <li>3. Temporarily place your machine within about one meter (3.3 feet) from the wireless access point/router when you are configuring the wireless settings.</li> <li>4. If your wireless access point/router is using MAC address filtering, confirm that the MAC address of the Brother machine is allowed in the filter (see <i>Print the Printer Settings Page</i> on page 31).</li> </ol> </li> <li>- If you manually entered the SSID and security information (SSID/authentication method/encryption method/Network Key), the information may be incorrect. Confirm the SSID and security information (see <i>To find the wireless settings (Network Name (SSID) and Network Key)*</i> on page 25). Re-enter the correct information, if necessary.</li> </ul>



Error Code	Recommended Solutions												
TS-03	<p>The wireless network and security setting you entered may be incorrect.</p> <p>Confirm that the wireless network settings are correct (see <i>To find the wireless settings (Network Name (SSID) and Network Key)</i>* on page 25).</p> <p>* Check if the entered or selected SSID/authentication method/encryption method/UserID/Userpass are correct.</p>												
TS-04	<p>The Authentication/Encryption methods used by the selected wireless access point/router are not supported by your machine.</p> <p>For infrastructure mode, change the authentication and encryption methods of the wireless access point/router. Your machine supports the following authentication methods WPA™, WPA2™, OPEN and Shared key. WPA supports TKIP or AES encryption methods. WPA2 supports AES for the encryption method. OPEN and Shared key correspond to WEP encryption.</p> <p>If your problem is not solved, the SSID or network settings you entered may be incorrect. Confirm that the wireless network settings are correct (see <i>To find the wireless settings (Network Name (SSID) and Network Key)</i>* on page 25).</p> <p><b>Combined table of authentication and encryption methods</b></p> <table border="1" data-bbox="411 943 1174 1240"> <thead> <tr> <th data-bbox="411 943 794 983">Authentication method</th> <th data-bbox="794 943 1174 983">Encryption method</th> </tr> </thead> <tbody> <tr> <td data-bbox="411 983 794 1070" rowspan="2">WPA-Personal</td> <td data-bbox="794 983 1174 1023">TKIP</td> </tr> <tr> <td data-bbox="794 1023 1174 1070">AES</td> </tr> <tr> <td data-bbox="411 1070 794 1111">WPA2-Personal</td> <td data-bbox="794 1070 1174 1111">AES</td> </tr> <tr> <td data-bbox="411 1111 794 1198" rowspan="2">OPEN</td> <td data-bbox="794 1111 1174 1151">WEP</td> </tr> <tr> <td data-bbox="794 1151 1174 1198">NONE (without encryption)</td> </tr> <tr> <td data-bbox="411 1198 794 1240">Shared key</td> <td data-bbox="794 1198 1174 1240">WEP</td> </tr> </tbody> </table> <p>For ad-hoc mode, change the authentication and encryption methods of your computer for the wireless setting. Your machine supports OPEN authentication method only, with optional WEP encryption.</p>	Authentication method	Encryption method	WPA-Personal	TKIP	AES	WPA2-Personal	AES	OPEN	WEP	NONE (without encryption)	Shared key	WEP
Authentication method	Encryption method												
WPA-Personal	TKIP												
	AES												
WPA2-Personal	AES												
OPEN	WEP												
	NONE (without encryption)												
Shared key	WEP												
TS-05	<p>The security information (SSID/Network Key) is incorrect.</p> <p>Confirm that the SSID and security information (Network Key) are correct (see <i>To find the wireless settings (Network Name (SSID) and Network Key)</i>* on page 25).</p> <p>If your router uses WEP encryption, enter the key used as the first WEP key. Your machine supports the use of the first WEP key only.</p>												
TS-06	<p>The wireless security information (Authentication method/Encryption method/Network Key) is incorrect.</p> <p>Confirm the wireless security information as shown in the “Combined table of authentication and encryption methods” table in error TS-04.</p> <p>If your router uses WEP encryption, enter the key used as the first WEP key. Your machine supports the use of the first WEP key only.</p> <p>Confirm the Network Key (see <i>To find the wireless settings (Network Name (SSID) and Network Key)</i>* on page 25).</p>												



Error Code	Recommended Solutions
TS-07	<p>The machine cannot detect a wireless access point/router that has WPS or AOSS™ enabled.</p> <p>To configure your wireless settings using WPS or AOSS™, you must operate both your machine and the wireless access point/router. Confirm your wireless access point/router supports WPS or AOSS™ and try starting again.</p>  <p>If you do not know how to operate your wireless access point/router using WPS or AOSS™, see the documentation provided with your wireless access point/router, ask the manufacturer of your wireless access point/router, or ask your network administrator.</p>
TS-08	<p>Two or more wireless access points/routers that have WPS or AOSS™ enabled are detected.</p> <ul style="list-style-type: none"> <li>- Confirm that only one wireless access point/router within range has WPS or AOSS™ active and try again.</li> <li>- Try starting again after a few minutes in order to avoid interference from other wireless access points/routers.</li> </ul>

## Entering Text for Wireless Settings

Hold down or repeatedly press the ▲ or ▼ key to select from the following characters:

(space) !"#\$%&'()\*+,-./0123456789:;<=>?@  
ABCDEFGHIJKLMNOPQRSTUVWXYZ[ ]^\_`abcdefghijklmnopqrstuvwxyz{|}~

Press **OK** to confirm the current character, and then enter the next character.  
Press the **Back** key to delete the characters you have entered.



## Install the Printer Driver for Windows® (HL-3140CW / HL-3150CDW / HL-3170CDW)

### 12 Before you install

#### IMPORTANT

- If there are any programs running, close them.
- The screens may differ depending on your operating system.

**a** Make sure your computer is ON and you are logged on with Administrator rights.

**b** Make sure your machine is turned on.

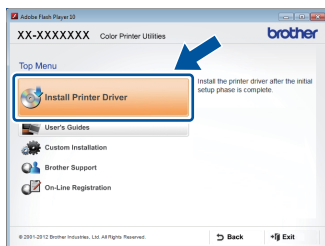
### 13 Install the printer driver

**a** Put the CD-ROM into your CD-ROM drive. If prompted, select your model and language.

#### NOTE

- If the Brother screen does not appear automatically, go to **Computer (My Computer)**, double-click the CD-ROM icon, and then double-click **start.exe**.
- For Windows Vista®, Windows® 7 and Windows® 8 users: when the **User Account Control** screen appears, permit the window to continue the installation.

**b** Click **Install Printer Driver**, and click **Yes** if you accept the license agreement.



**c** Choose **Wireless Network Connection**, and then click **Next**.

#### NOTE

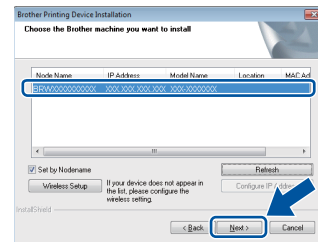
For HL-3170CDW: to install the PS driver (BR-Script3 printer driver), choose **Custom Install**, and then follow the on-screen instructions.

**d** Choose **Brother Peer-to-Peer Network Printer** or **Network Shared Printer**, and then click **Next**.

#### NOTE

- If you choose **Network Shared Printer**, choose your machine's queue, and then click **OK**.
- Choose your Firewall setting preference, and then click **Next**.

**e** Choose the machine from the list, and then click **Next**.



#### NOTE

If you are using WEP and the LCD displays **Connected** but your machine is not found, make sure you entered the WEP key correctly. The WEP key is case-sensitive.

**f** The installation will automatically continue. The installation screens appear one after another. If prompted, follow any on-screen instructions.

#### IMPORTANT

DO NOT cancel any of the screens during the installation. It may take a few minutes for all screens to appear.

**g** When the **On-Line Registration** screen appears, make your selection and follow the on-screen instructions. Once you have completed the registration process, click **Next**.

**h** When the **Setup is Complete** screen appears, make your selection, and then click **Finish**.



## NOTE

Depending on your security settings when using the machine or its software, a Windows® Security or antivirus software window may appear. Please allow or permit the window to continue.

## Finish

**The installation is now complete.**

## NOTE

- If the Brother manuals included on the CD-ROM are in PDF format, use Adobe® Reader® to open them. If Adobe® Reader® is installed on your computer but cannot open the files, change the file association for ".pdf" to "Adobe® Reader®" in your **Control Panel**. For more information, see the FAQ section for this model at <http://solutions.brother.com/>.
- **XML Paper Specification Printer Driver**  
The XML Paper Specification Printer Driver is the most suitable driver for Windows Vista®, Windows® 7 and Windows® 8 when printing from applications that use the XML Paper Specification. Please download the latest driver from the Brother Solutions Center at <http://solutions.brother.com/>.



## Install the Printer Driver for Macintosh (HL-3140CW / HL-3150CDW / HL-3170CDW)

### 12 Before you install

#### IMPORTANT

For users of Mac OS X v10.6.7 or lower: upgrade to Mac OS X v10.6.8, 10.7.x, 10.8.x. (For the latest drivers and information for the Mac OS X you are using, visit <http://solutions.brother.com/>.)

- a** Make sure your machine is connected to an AC power source and your Macintosh is ON. You must be logged on with Administrator rights.

### 13 Install the printer driver

- a** Put the CD-ROM into your CD-ROM drive, and then double-click the **BROTHER** icon on your desktop.
- b** Double-click the **Start Here OSX** icon. If prompted, select your model.

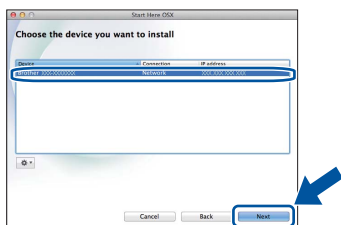


- c** Choose **Wireless Network Connection**, and then click **Next**.

#### NOTE

If your wireless settings fail, the **Wireless Device Setup Wizard** screen appears. Follow the on-screen instructions to complete the wireless configuration.

- d** Choose your machine from the list, and then click **Next**.



#### NOTE

- If there is more than one of the same model connected on your network, the IP Address will be displayed to help you identify the machine.
- You can find your machine's IP Address by printing out the Printer Settings Page (see *Print the Printer Settings Page* on page 31).

- e** The installation screens appear one after another. If prompted, follow any on-screen instructions.

#### IMPORTANT

DO NOT cancel any of the screens during the installation. It may take a few minutes for the installation to complete.

- f** When the **Add Printer** screen appears, click **Add Printer**.
- g** Choose your machine from the list, click **Add**, and then click **Next**.  
(OS X v10.8.x)  
Select **HL-XXXX CUPS** driver from the **Use** pop-up menu. (Where XXXX is your model name.)

#### NOTE

- For HL-3170CDW: to add the PS driver (BR-Script3 printer driver), select it from the **Print Using (Use)** pop-up menu.
- When the **Brother Support** screen appears, make your selection and follow the on-screen instructions.

**Finish** The installation is now complete.

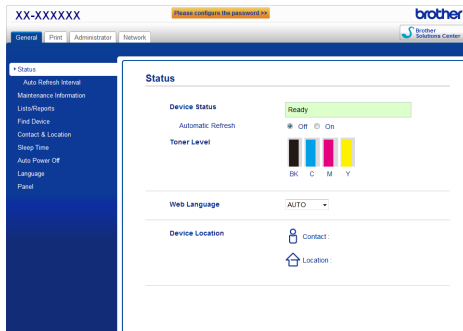
## Web Based Management (web browser)

The Brother print server is equipped with a web server that allows you to monitor its status or change some of its configuration settings using HTTP (Hypertext Transfer Protocol).

### NOTE


We recommend Windows® Internet Explorer® 8.0/9.0 for Windows® and Safari 5.0 for Macintosh. Please also make sure JavaScript and Cookies are always enabled in whichever browser you use. To use a web browser, you will need to know the IP Address of the print server, which is listed on the Printer Settings Page.

- a Open your browser.
- b Type “http://machine’s IP address/” into your browser’s address bar (where “machine’s IP address” is the IP address of the Brother machine or the print server name).
  - For example: http://192.168.1.2/



### NOTE

If you have configured an optional login password, you must enter it when prompted to access the Web Based Management.

 For more information, see Network User's Guide: *Web Based Management*.

## Reset the print server network settings

- a Press ▲ or ▼ to choose `Network`. Press **OK**.
- b Press ▲ or ▼ to choose `Network Reset`. Press **OK**.
- c When `Reboot OK?` appears, press ▲ to choose `Yes`.  
The machine will restart.

## Print the Printer Settings Page

The Printer Settings Page lists all of the current printer settings, including network settings.

- a Press ▲ or ▼ to choose `Machine Info..` Press **OK**.
- b Press **OK** to choose `Print Settings`.  
The machine will print the current printer settings.

### NOTE

If the **IP Address** on the Printer Settings Page shows **0.0.0.0**, wait for one minute and try printing the page again.

## Color Correction

The output density and print position of each color may vary depending on the machine's environment. Factors like temperature and humidity can affect color. Color calibration and color registration help you to improve the color density and the print position of each color.

## Color Calibration

Calibration helps you to improve the color density.

### NOTE

- For HL-3170CDW: if you print using the BR-Script printer driver, you need to perform the calibration from the control panel (see *Using the control panel* on page 32).
- If you print using the Windows® printer driver, the driver will get the calibration data automatically if both **Use Calibration Data** and **Get Device Data Automatically** are on (see User's Guide: *Advanced tab*).
- If you print using the Macintosh printer driver, you need to perform the calibration using **Status Monitor**. After turning **Status Monitor** on, choose **Color Calibration** from **Control** menu (see User's Guide: *Color Calibration*).

## Using the control panel

- Press ▲ or ▼ to choose **Color Correction**. Press **OK**.
- Press ▲ or ▼ to choose **ColorCalibration**. Press **OK**.
- Press **OK** to choose **Calibrate**.
- Press ▲ to choose **Yes**.  
The machine performs the Calibration, and then returns to Ready mode.

## Color Registration

### Auto Registration

Auto registration helps you to improve the print position of each color.

- Press ▲ or ▼ to choose **Color Correction**. Press **OK**.
- Press ▲ or ▼ to choose **Auto Regist..** Press **OK**.
- Press **OK** to choose **Registration**.
- Press ▲ to choose **Yes**.  
The machine performs the Registration, and then returns to Ready mode.

## Brother CreativeCenter



Get inspired. If you're using Windows®, double-click the Brother CreativeCenter icon on your desktop to access our FREE website with many ideas and resources for personal and professional use.



Mac users can access Brother CreativeCenter at this web address:

<http://www.brother.com/creativecenter/>

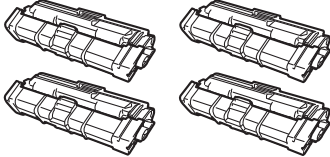
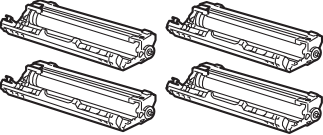
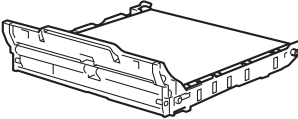
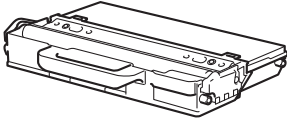



## Consumables

When the time comes to replace consumable items such as toner or drums, an error message will appear on your machine's LCD. For more information about the consumables for your machine, visit us at <http://www.brother.com/original/> or contact your local Brother reseller.

### NOTE

The drum unit and toner cartridge are two separate parts.

Toner Cartridges	Drum Units
	
<b>Belt Unit</b>	<b>Waste Toner Box</b>
BU-220CL	WT-220CL
	

 For more information on replacing the consumable items, see User's Guide: *Replacing consumable items*.

## Trademarks

The Brother logo is a registered trademark of Brother Industries, Ltd.

Brother is a trademark of Brother Industries, Ltd.

Microsoft, Windows, Windows Vista, Windows Server and Internet Explorer are either registered trademarks or trademarks of Microsoft Corporation in the United States and/or other countries.

Apple, Macintosh, Safari and Mac OS are trademarks of Apple Inc., registered in the U.S. and other countries.

Adobe and Reader are either registered trademarks or trademarks of Adobe Systems Incorporated in the United States and/or other countries.

Wi-Fi Direct, Wi-Fi Protected Setup (WPS), WPA and WPA2 are marks of the Wi-Fi Alliance.

AOSS is a trademark of Buffalo Inc.

Android is a trademark of Google Inc.

Each company whose software title is mentioned in this manual has a Software License Agreement specific to its proprietary programs.

**Any trade names and product names of companies appearing on Brother products, related documents and any other materials are all trademarks or registered trademarks of those respective companies.**

## Compilation and Publication

Under the supervision of Brother Industries, Ltd., this manual has been compiled and published, covering the latest product descriptions and specifications.

The contents of this manual and the specifications of this product are subject to change without notice.

Brother reserves the right to make changes without notice in the specifications and materials contained herein and shall not be responsible for any damages (including consequential) caused by reliance on the materials presented, including but not limited to typographical and other errors relating to the publication.

## Copyright and License

©2012 Brother Industries, Ltd. All rights reserved.

This product includes software developed by the following vendors:

©1983-1998 PACIFIC SOFTWARES, INC. ALL RIGHTS RESERVED.

©2008 Devicescape Software, Inc. All rights reserved.

This product includes the "KASAGO TCP/IP" software developed by ZUKEN ELMIC, Inc.



[www.brotherearth.com](http://www.brotherearth.com)

**brother**®